

5-Year  
Warranty

Proudly Made in  
the U.S.A.



**ADA SOLUTIONS, INC.**  
**DETECTABLE WARNING SURFACES**  
**FOR PEDESTRIAN CROSSINGS**

## **CAST-IN-PLACE (WET-SET)** **REPLACEABLE TACTILE**



*Service, Delivery and Price*  
*Make ADA Solutions, Inc. the Obvious Choice*

WWW.ADATILE.COM • 800-372-0519



# **CAST-IN-PLACE (WET-SET) REPLACEABLE TACTILE**

**Proudly Made in  
the U.S.A.**



In stock colors

**White**  
37875



**Brick Red**  
20109



**Yellow**  
33538



**Blue**  
15187



**Safety Red**  
31350



**Seattle Yellow**  
23594



**Black**  
37038



**Dark Gray**  
36081



**Clay Red**  
22144



**US Patents\***

[\\*www.adatale.com/patents](http://www.adatale.com/patents)

ADA SOLUTIONS, INC.  
WWW.ADATILE.COM

# CAST-IN-PLACE REPLACEABLE TACTILE

## Installation Procedure

**Be sure to read and understand all of these instructions before you begin.**

**A.** The physical characteristics of the concrete shall be as specified in the contract documents while maintaining a slump range of 4-7 inches to permit the solid placement of the ADA Cast-In-Place Replaceable Tactile Unit (ADAREP) in the wet cement.

**B.** The concrete shall be poured and finished level, true and smooth to the required dimensions prior to the placement of the ADAREP unit.

**C.** Place the ADAREP unit 6-8 inches from the curb line. Working in a grid pattern, tamp the ADAREP unit into the wet concrete using a rubber mallet and a piece of wood. Continue this process until all of the air has been released, and the ADAREP unit surface is flush with the surrounding area. **IMPORTANT: Avoid striking the surface of the ADAREP unit directly.**

**D.** Following the placement, the ADAREP unit elevation should be checked to the adjacent surface with a straight edge. The ADAREP unit elevation should be consistent with the Contract Drawings and Specifications. Any required adjustments must be made prior to the time when the concrete begins to set.

**E.** **IMPORTANT NOTICE TO INSTALLER:** *To allow for expansion and contraction, after tile is installed, use a 1/4" finish edge trowel around entire perimeter. On a continuous run, be sure to space each unit 1/8" apart.*

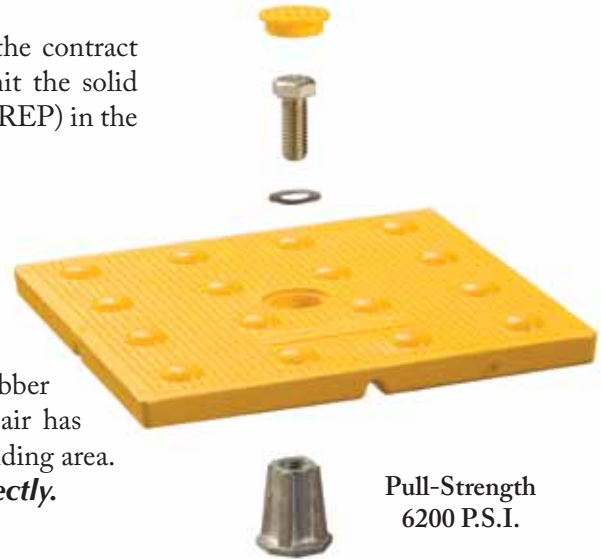
**F.** When you are confident that the ADAREP unit is in place and no further adjustments are needed, place a cinder block on both ends, if necessary, to hold the ADAREP unit in place while the concrete sets.

**G.** During and after the ADAREP unit installation, as well as the concrete curing stage, no walking or external forces can be placed on the ADAREP unit. The area must be protected from pedestrian traffic until concrete is cured. The ADAREP Warning Surface will be ready for pedestrian traffic within 2-4 hours.

**H.** Be sure to remove plastic protective covering from the face of the ADAREP Unit once the concrete is cured.

\*Not recommended or warranted for asphalt installation.

**Do not cut Cast-In-Place Replaceable Tactile. Use an appropriate sized tactile or Radius Tactile to fit the requirement. Contact manufacturer for more details.**



**PRODUCT SIZES**  
2'x3' 2'x4' 2'x5'  
3'x4' 3'x5'

**APPLICATION**  
Fresh Pour  
Concrete Ramps  
& Replacement

# CAST-IN-PLACE REPLACEABLE TACTILE

(WET-SET)

## Replacement Procedure

**Be sure to read and understand all of these instructions before you begin.**

- A.** Lift the existing composite bolt cap from each anchor location on the ADA Cast-In-Place Replaceable Tactile unit (ADAREP) with a flat head screw driver.
- B.** Remove the existing 1/2" x 1 1/2" heavy duty steel bolts and washers from each anchor location on the ADAREP unit with a ratchet. Save & reuse.
- C.** Tap around all sides of the ADAREP unit and across the middle with a rubber mallet, working in a grid pattern.
- D.** Pry the existing ADAREP unit from the concrete ramp with a small prybar, working around the edges until it can be lifted cleanly away.
- E.** Be sure to remove all small debris and dust from the existing impression in the concrete ramp.  
**IMPORTANT: Be careful not to get debris into anchor locations.**
- F.** Replace new ADAREP unit, of same size and orientation, into impression in concrete ramp. Lightly tamp down the ADAREP unit with a rubber mallet and a piece of wood. Continue this process until the ADAREP unit is set firmly into existing impression in concrete ramp.  
**IMPORTANT: Avoid striking the ADAREP unit directly.**
- G.** Bolt existing 1/2" x 1 1/2" heavy duty steel bolts and washers back into each anchor location on new ADAREP unit.
- H.** Snap a new composite bolt cap provided, into each anchor location on the ADAREP unit. The ADAREP unit is ready for pedestrian traffic immediately after installation is complete.



**View additional photos, drawings and specifications on our website: [www.adatale.com](http://www.adatale.com).  
Call (800) 372-0519 with any questions.**

**US Patents\***  
**\*[www.adatale.com/patents](http://www.adatale.com/patents)**

# CAST-IN-PLACE REPLACEABLE TACTILE

## Inline Dome Pattern

### DOMES GEOMETRY

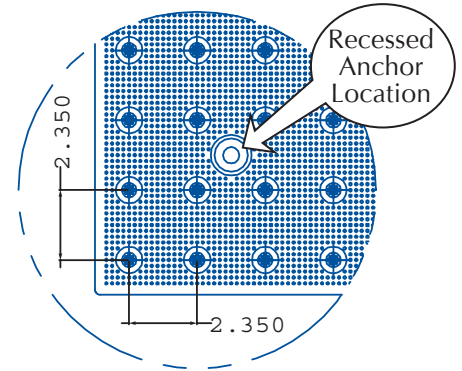
In accordance with ADA Regulations for Detectable Warning on Curb Ramps: Raised truncated domes with a diameter of nominal 0.9", a height of nominal 0.2" and a center-to-center spacing of 2.35".

### PANEL DIMENSIONS

ADA Cast-In-Place Replaceable Tactile units (ADAREP) are available in 24" x 36", 24" x 48", 24" x 60", 36" x 48" and 36" x 60" sizes. ADAREP units may also be custom configured to accommodate specific project requirements. ADAREP units measure 1/4" nominal thickness and feature a 3/8" thick x 1" wide perimeter "flange."

### MATERIAL

A durable exterior grade homogenous glass, carbon and fiberglass reinforced composite material which is colorfast and UV stable. The color of the ADAREP unit is uniform throughout and does not rely on any type of paint coating to achieve color stability. Standard colors include: Federal Yellow, Seattle Yellow, White, Brick Red, Clay Red, Safety Red, Blue, Dark Gray and Black. For superior wheelchair, walker and shopping cart mobility, truncated domes have a center-to-center (horizontally and vertically) spacing of 2.35 inches.



### PHYSICAL CHARACTERISTICS

Compressive Strength	28,900 psi	ASTM D 695
Flexural Strength	29,300 psi	ASTM D 790
Water Absorption	.07%	ASTM D 570
Slip Resistance	1.18 Dry, 1.05 Wet	ASTM C 1028
Flame Spread Index	20	ASTM E 84
Salt Spray	No Change (200 hours)	ASTM B 117
Chemical Stain Testing	No Deterioration	ASTM 1308
Abrasion Resistance	549	ASTM C 501
Accelerated Weathering	Delta E<5.0 (2,000 hours)	ASTM G 155
Tensile Strength	11,600 psi	ASTM D 638
Load Bearing at 16,000 lbs.	No Damage	AASHTO-H20
Freeze/Thaw/Heat	No Disintegration	ASTM C 1026

### INCIDENTALS

**Fasteners:** 1/2" x 1 1/2"  
heavy duty steel  
bolts and washers.

**Anchors:** 1 1/2" corrosion  
resistant concrete inserts.

### WARRANTY

ADAREP units shall be guaranteed in writing for a period of five (5) years from date of contract's final completion. The guarantee includes breakage and deformation of the tactile warning surface material.



5-Year  
Warranty

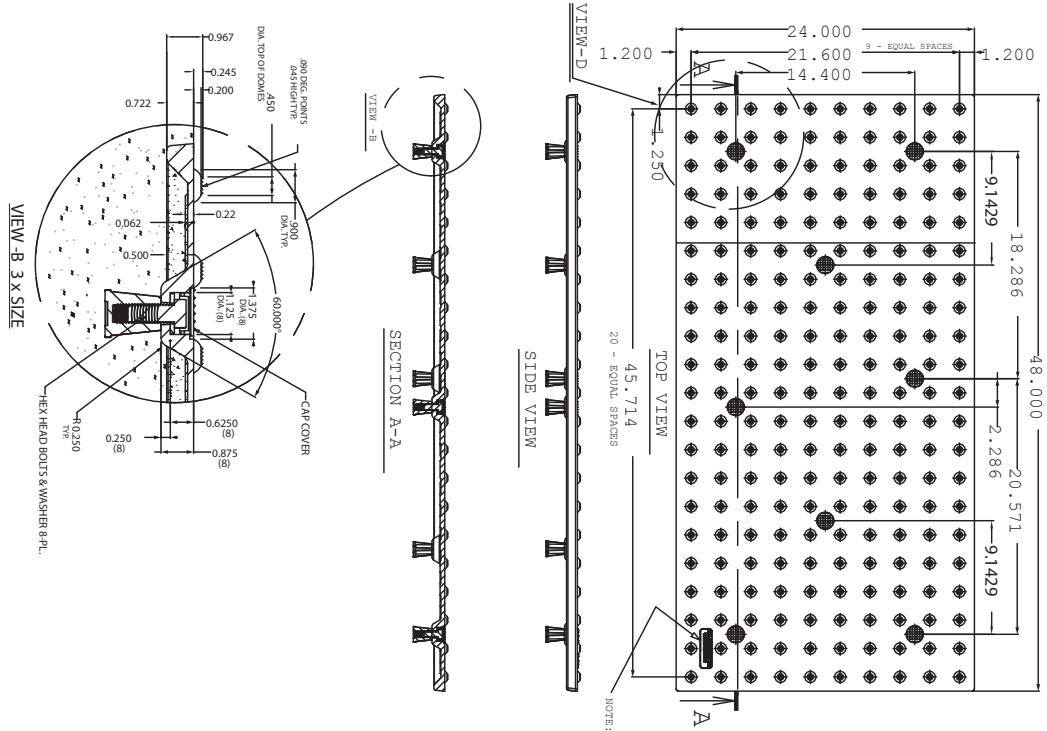


Color  
Throughout

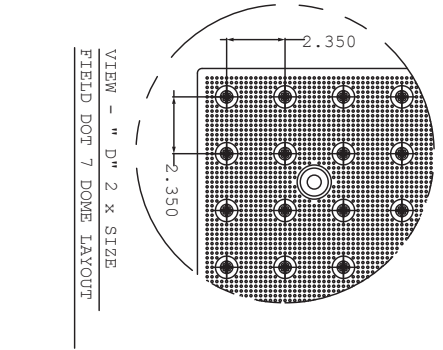


# CAST-IN-PLACE REPLACEABLE TACTILE

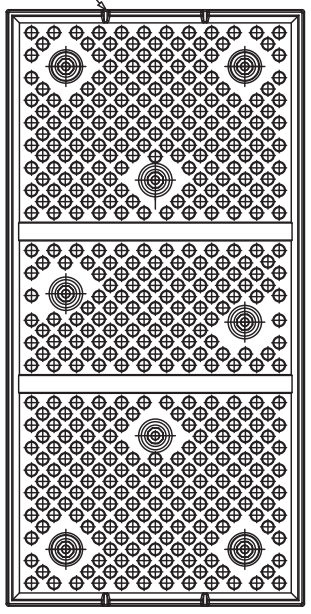
**24" x 48" (610 x 1219mm) Tile**  
**2.35" (59.7 mm) Dome Spacing**



NOTE: US Patents\*  
[www.adatile.com/patents](http://www.adatile.com/patents)



HEX BOLTS LOCATED ON THE ENDS OF THIS UNIT



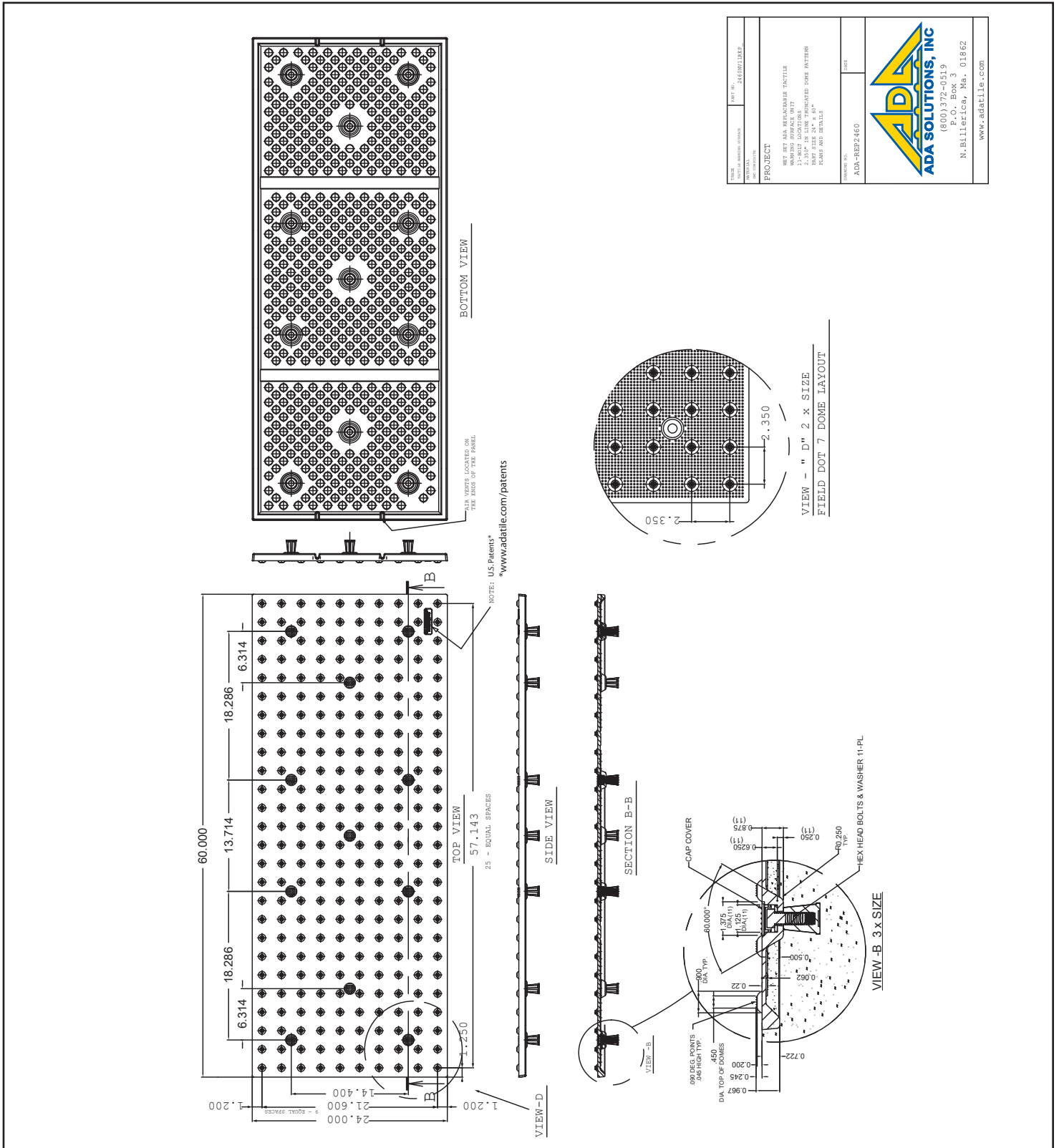
<p>DAWG: ADADTILE/MB</p> <p>DATE: 2/18/09</p> <p>PROJECT: ADA-REPLACEMENT</p> <p>NO. COMMENTS:</p>	<p>DATE: 12/16/08</p> <p>BY: ADADTILE/MB</p> <p>PROJECT: ADA-REPLACEMENT</p> <p>NO. COMMENTS:</p>
<p>NOTE: SEE ADA REPLACEABLE TACTILE          B-SHEET LOCATIONS          2.315" IN LINE THICKNESS DOSE PATTERNS          FINISH AND DETAILS</p> <p>PROJECT NO: ADA-REPL2448</p> <p>DATE: 12/16/08</p>	<p>PROJECT: ADA-REPLACEMENT</p> <p>NO. COMMENTS:</p>
<p><b>ADA SOLUTIONS, INC</b>              (800) 372-0519              P.O. Box 3              N. Billerica, MA, 01862  <a href="http://www.adatile.com">www.adatile.com</a></p>	



# CAST-IN-PLACE REPLACEABLE TACTILE

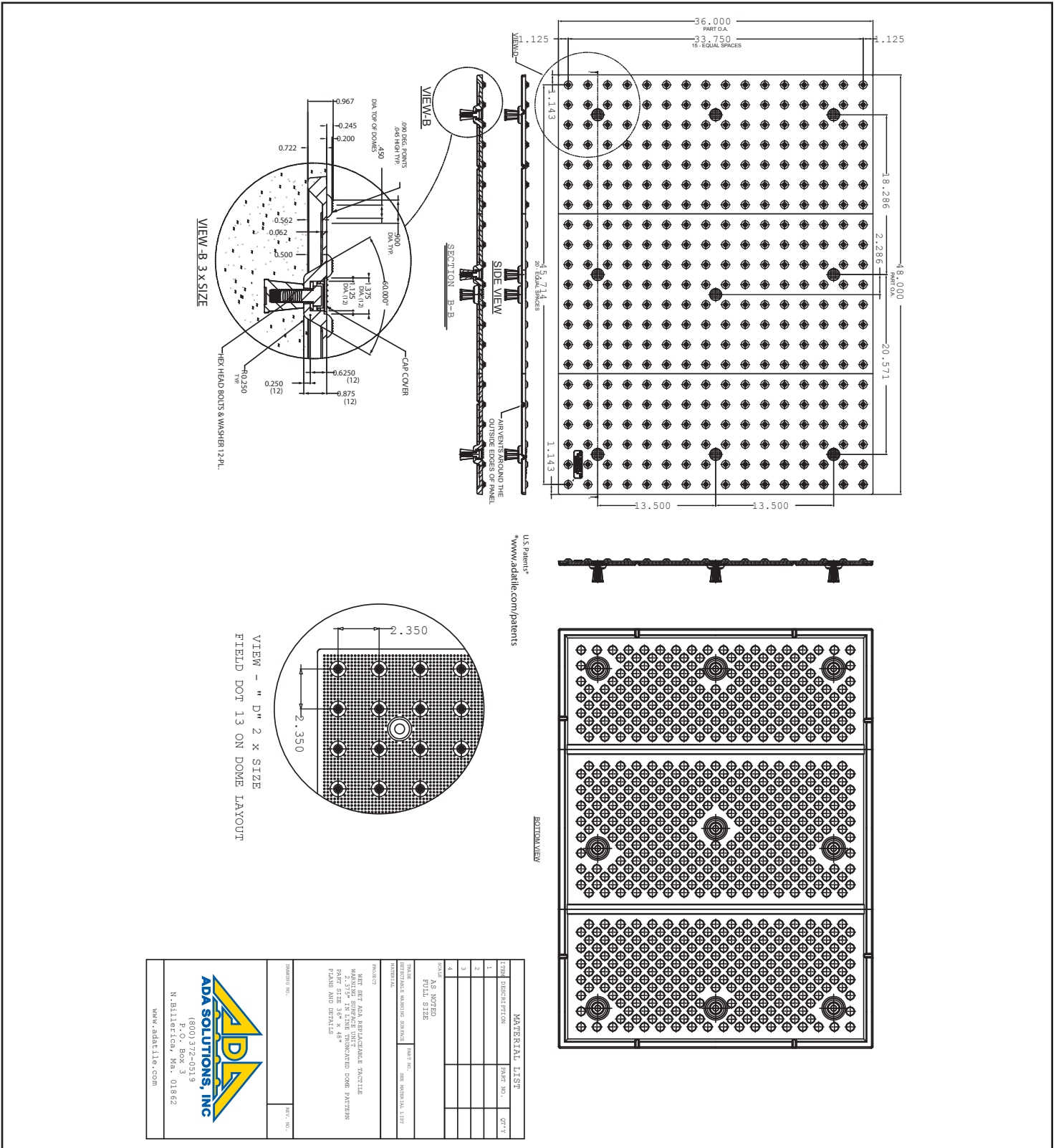
(WET-SET)

24"x60" (610 x 1524mm) Tile  
2.35" (59.7 mm) Dome Spacing



# CAST-IN-PLACE REPLACEABLE TACTILE

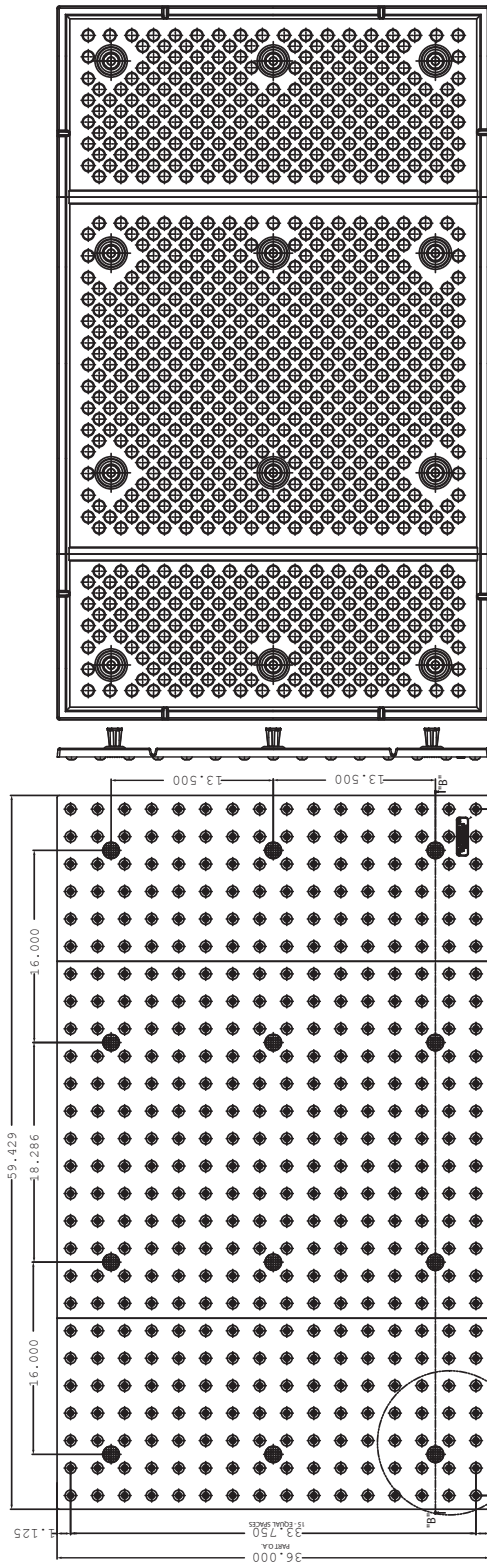
36" x 48" (914 x 1219mm) Tile  
 2.35" (59.7 mm) Dome Spacing



# CAST-IN-PLACE REPLACEABLE TACTILE

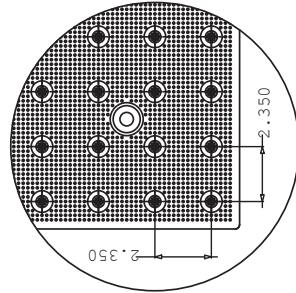
(WET-SET)

36x60" (914 x 1524mm) Tile  
 2.35" (59.7 mm) Dome Spacing

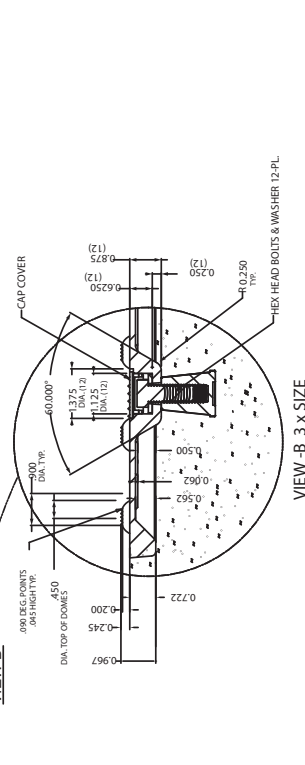


BOTTOM VIEW


U.S. Patents\*  
[www.adatile.com/patents](http://www.adatile.com/patents)



VIEW - "D" 2" X SIZE  
 FIELD DOT 13 ON DOME LAYOUT



MATERIAL LIST			
ITEM	DESCRIPTION	PART NO.	QTY.
1			
2			
3			
4			
REMARKS ALL NOTED FIELD SIZE THICKNESS STANDARD CONTRACTOR'S MATERIAL LIST PART NO.			
PROJECT WET SET ADA REPLACEABLE TACTILE 2.35" DIA LONE TANGENT DOME PATTERN PART SIZE 36" x 60" RAND AND DETAIL			
DRAWING NO. DATE			REV. NO.



ADA SOLUTIONS, INC  
 (800) 372-0519  
 3500 Washington Ave. #200  
 N. Billerica, MA 01862  
[www.adatile.com](http://www.adatile.com)



Wherever you go...  
There we are™

- INDUSTRY LEADING SERVICE, DELIVERY AND PRICE
- ONE PIECE APPLICATION
- TIME-SAVING INSTALLATION
- CAST-IN-PLACE REPLACEABLE
- RADIUS REPLACEABLE (WET-SET)
- RADIUS SURFACE MOUNT
- SURFACE MOUNT (RETROFIT)
- CAST-IN-PLACE (WET-SET)
- ADAAG COMPLIANT
- AVAILABLE STANDARD SIZES  
2'x3' • 2'x4' • 2'x5' • 3'x4' • 3'x5' • 2'x33¼"
- UNIFORM COLOR THROUGHOUT

PRODUCT INFORMATION / SUBMITTAL